



DIMENSION NOTE -
 ALL DIMENSIONS ARE IN INCHES.
 DIMENSIONS ARE FOR PRELIMINARY
 PLANNING, NOT FOR CONSTRUCTION.

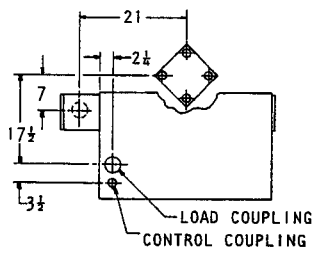
NOTES, TYPE 230-PM

A- LOCATIONS FOR "LOAD CONDUIT" & "CONTROL CONDUIT" SHOWN IN BASE DETAIL, ARE FOR UNDERGROUND CONDUIT ENTRANCES. THESE LOCATIONS CORRESPOND TO (1) 3" KNOCKOUT & (2) 1" KNOCKOUTS IN FLOOR OF CABINET. CONDUITS MAY ENTER OPTIONALLY IN THE 12 X 14 AREA DESIGNATED "ALTERNATE" (FOR FIELD-CUT ENTRANCES).

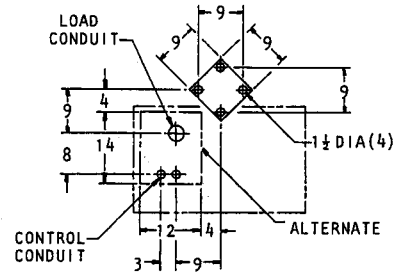
B- WHEN OVERHEAD CONDUITS ARE SPECIFIED, LOAD & CONTROL CONDUIT-COUPPLINGS ARE WELDED IN ROOF AS SHOWN IN ROOF DETAIL.

C- APPROXIMATE WEIGHT IS 900-LBS PER CONTROLLER.

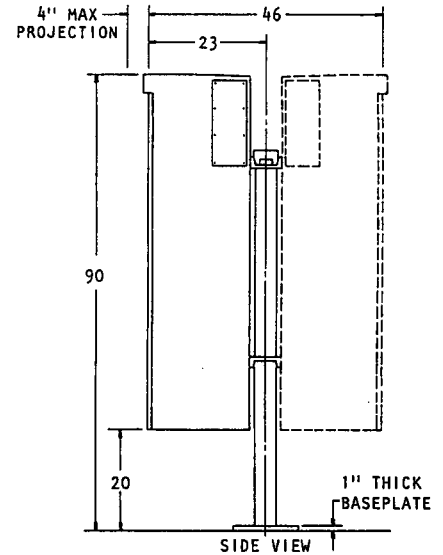
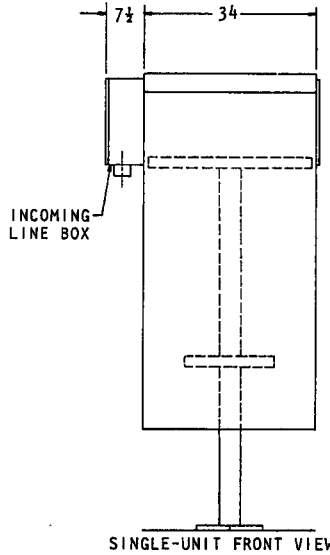
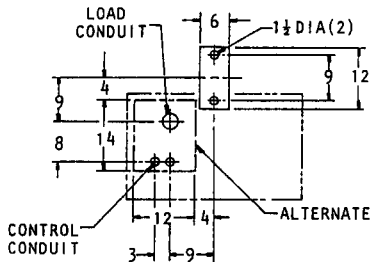
ROOF DETAIL-NOTE B



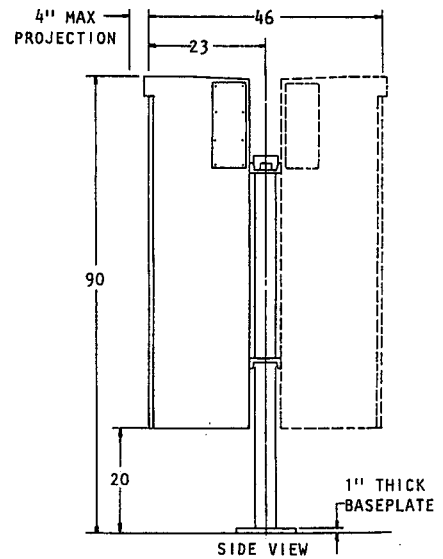
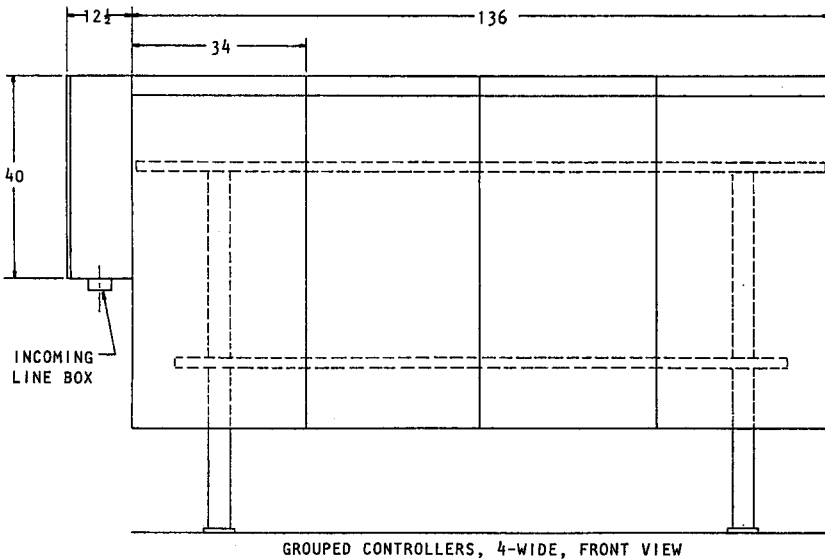
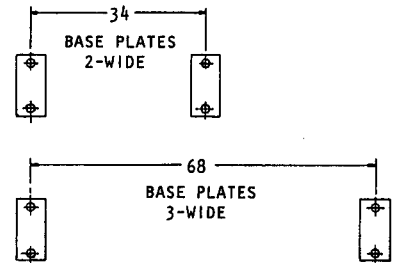
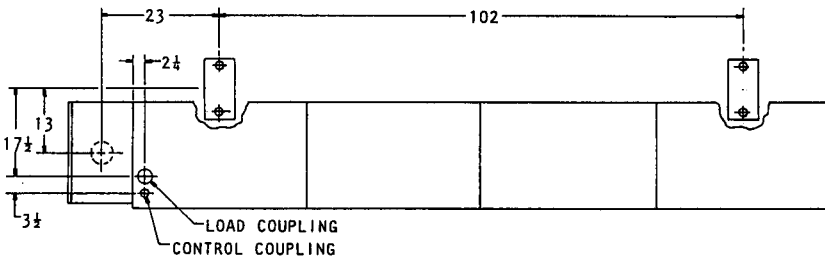
BASE DETAIL-NOTE A



**2-WIDE, 3-WIDE, & 4-WIDE
 BASE DETAIL-NOTE A**



ROOF DETAIL-NOTE B



GROUPED CONTROLLERS, 4-WIDE, FRONT VIEW